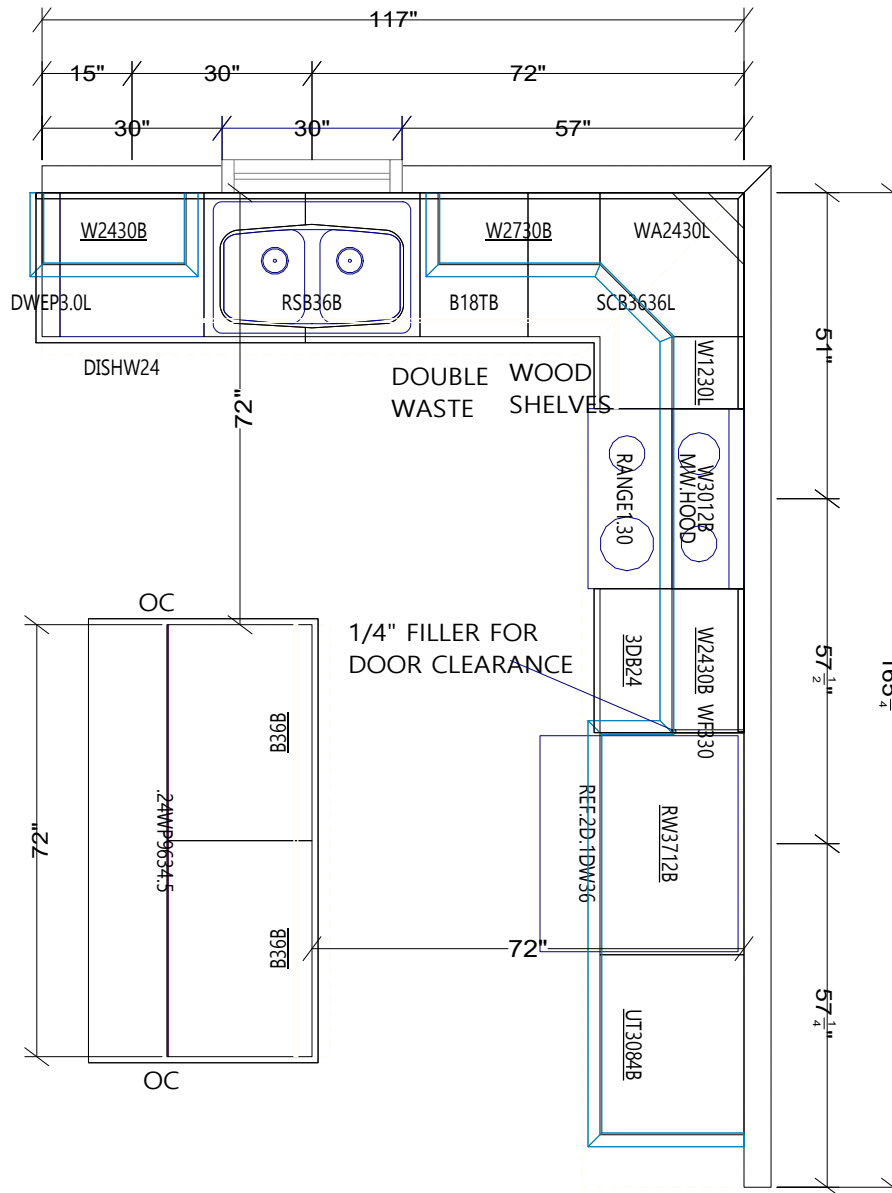


CUSTOM CABINETY BY KDC  
PRICE GROUP 0

DOOR: FLORENCE  
DRAWER: SLAB  
HINGES: SOFT CLOSE  
DRAWER GUIDES: SOFT CLOSE  
OVERLAY: MODIFIED OVERLAY  
WOOD: MDF  
FINISH: DRIFTWOOD

TRIM:  
3-TOEKICK  
3-SCRWN3  
6-BASE SHOE  
3-SCRIBE  
1-OUTSIDE CORENER  
1-TOUCH UP KIT

COUNTERTOPS: BY OTHERS

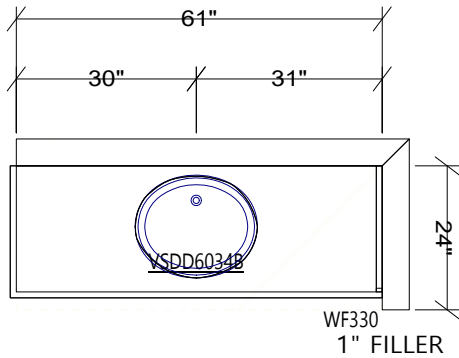


All dimensions & size designations given are subject to verification on job site and adjustment to fit job conditions.



This is an original design and must not be released or copied unless applicable fee has been paid or job order placed.

Designed: 5/19/2026  
Printed: 5/19/2026



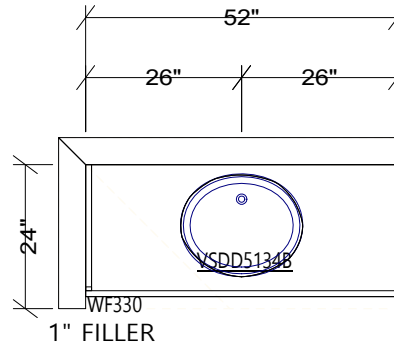
MAIN BATHROOM  
CABINET HEIGHT 34-1/2"

CUSTOM CABINETY BY KDC  
PRICE GROUP 0

DOOR: FLORENCE  
DRAWER: SLAB  
HINGES: SOFT CLOSE  
DRAWER GUIDES: SOFT CLOSE  
OVERLAY: MODIFIED OVERLAY  
WOOD: MDF  
FINISH: DRIFTWOOD

TRIM:  
1-TOEKICK  
1-BASE SHOE

COUNTERTOPS: BY OTHERS



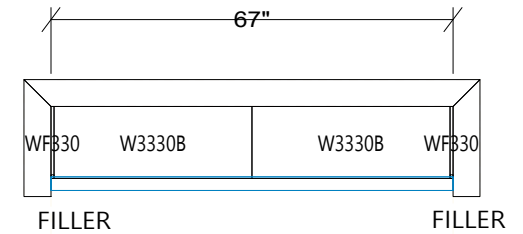
MASTER BATH  
CABINET HEIGHT 34-1/2"

CUSTOM CABINETY BY KDC  
PRICE GROUP 0

DOOR: FLORENCE  
DRAWER: SLAB  
HINGES: SOFT CLOSE  
DRAWER GUIDES: SOFT CLOSE  
OVERLAY: MODIFIED OVERLAY  
WOOD: MDF  
FINISH: DRIFTWOOD

TRIM:  
1-TOEKICK  
1-BASE SHOE

COUNTERTOPS: BY OTHERS



LAUNDRY

CUSTOM CABINETY BY KDC  
PRICE GROUP 0

DOOR: FLORENCE  
DRAWER: SLAB  
HINGES: SOFT CLOSE  
DRAWER GUIDES: SOFT CLOSE  
OVERLAY: MODIFIED OVERLAY  
WOOD: MDF  
FINISH: DRIFTWOOD

TRIM:  
1-SCRWN3

COUNTERTOPS: BY OTHERS

All dimensions \_size designations given are subject to verification on job site and adjustment to fit job conditions.



This is an original design and must not be released or copied unless applicable fee has been paid or job order placed.

Designed: 5/19/2026  
Printed: 5/19/2026



Note: This drawing is an artistic interpretation of the general appearance of the design. It is not meant to be an exact rendition.



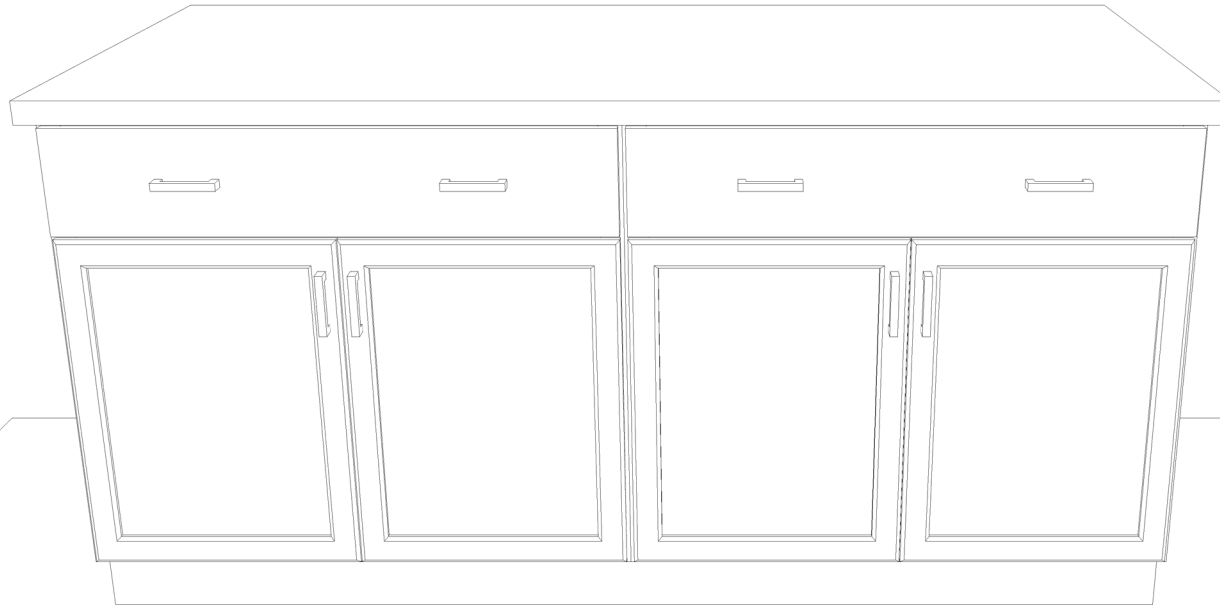
Designed: 5/19/2026  
Printed: 5/19/2026



Note: This drawing is an artistic interpretation of the general appearance of the design. It is not meant to be an exact rendition.



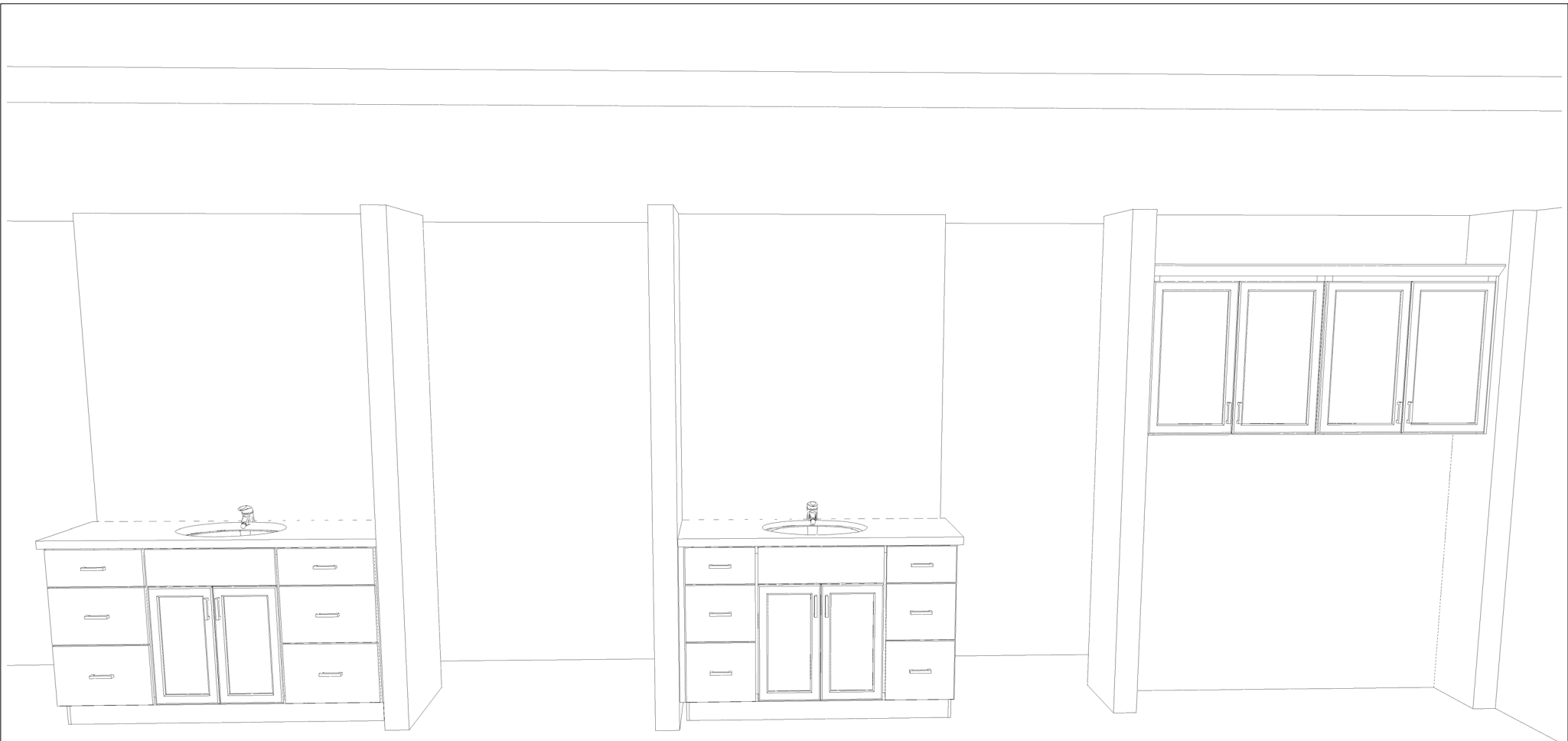
Designed: 5/19/2026  
Printed: 5/19/2026



Note: This drawing is an artistic interpretation of the general appearance of the design. It is not meant to be an exact rendition.

2020

Designed: 5/19/2026  
Printed: 5/19/2026



Note: This drawing is an artistic interpretation of the general appearance of the design. It is not meant to be an exact rendition.

2020

Designed: 5/19/2026  
Printed: 5/19/2026