

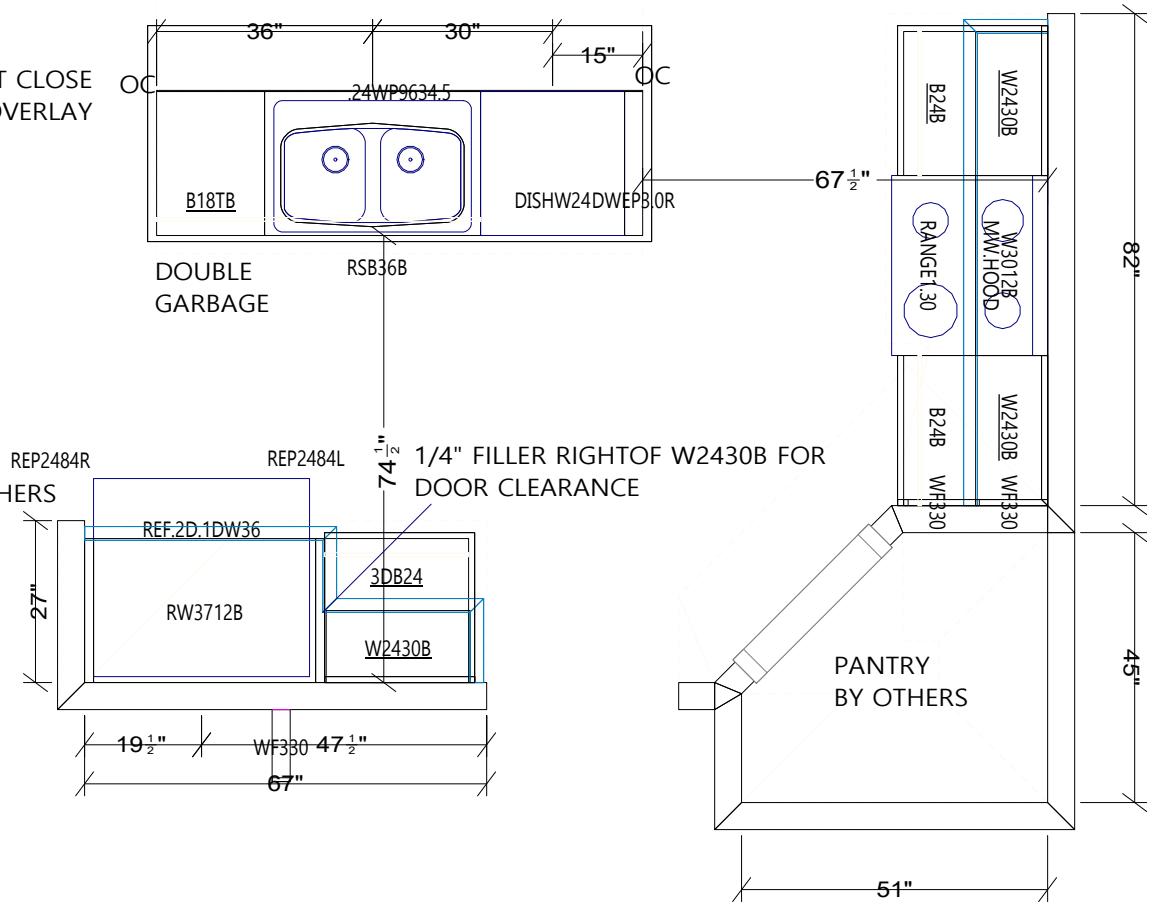
CUSTOM CABINETY BY KDC
 PRICE GROUP 0

DOOR: FLORENCE
 DRAWER: SLAB
 HINGES: SOFT CLOSE
 DRAWER GUIDES: SOFT CLOSE
 OVERLAY: MODIFIED OVERLAY
 WOOD: MAPLE
 FINISH: DRIFTWOOD

TRIM:
 2-TOEKICK
 2-SCRWN3
 4-BASE SHOE
 3-SCRIBE
 1-OUTSIDE CORNER
 1-TOUCH UP KIT

COUNTERTOPS: BY OTHERS

FLAT PANEL ON BACKSIDE OF ISLAND

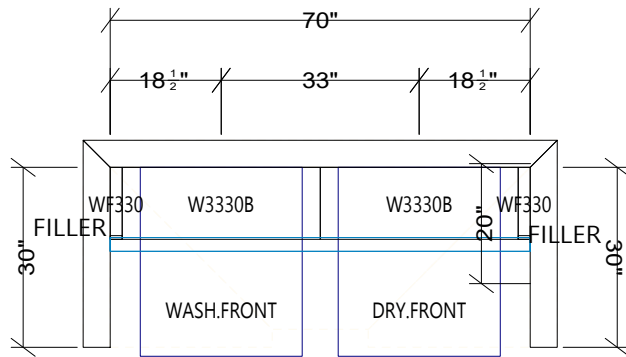


All dimensions _size designations given are subject to verification on job site and adjustment to fit job conditions.



This is an original design and must not be released or copied unless applicable fee has been paid or job order placed.

Designed: 3/25/2026
 Printed: 3/26/2026



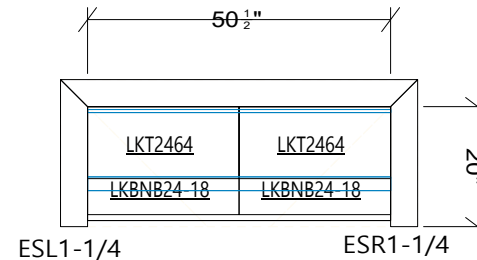
LAUNDRY

CUSTOM CABINETY BY KDC
PRICE GROUP 0

DOOR: FLORENCE
DRAWER: SLAB
HINGES: SOFT CLOSE
DRAWER GUIDES: SOFT CLOSE
OVERLAY: MODIFIED OVERLAY
WOOD: MAPLE
FINISH: DRIFTWOOD

TRIM:
1-SCRWN3

COUNTERTOPS: BY OTHERS



LOCKERS

CUSTOM CABINETY BY KDC

DOOR: N/A
DRAWER: N/A
HINGES: SOFT CLOSE
DRAWER GUIDES: SOFT CLOSE
OVERLAY: MODIFIED OVERLAY
WOOD: MAPLE
FINISH: DRIFTWOOD

TRIM:
1-SCRWN3
1-PS696B-B AS HOOK RAIL

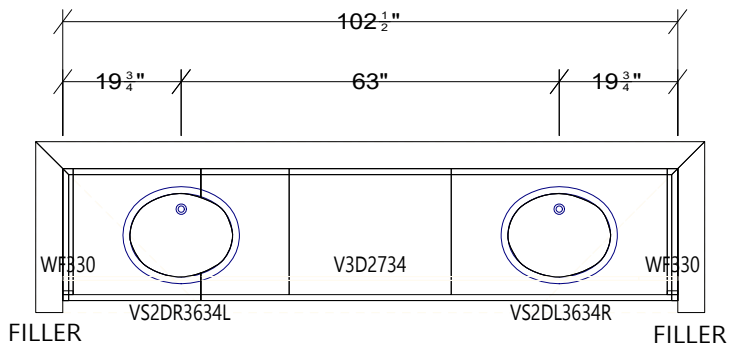
COUNTERTOPS:
WOOD TOP ROUND FRONT EDGE
49-1/2" X 19-1/2"

All dimensions _size designations given are subject to verification on job site and adjustment to fit job conditions.

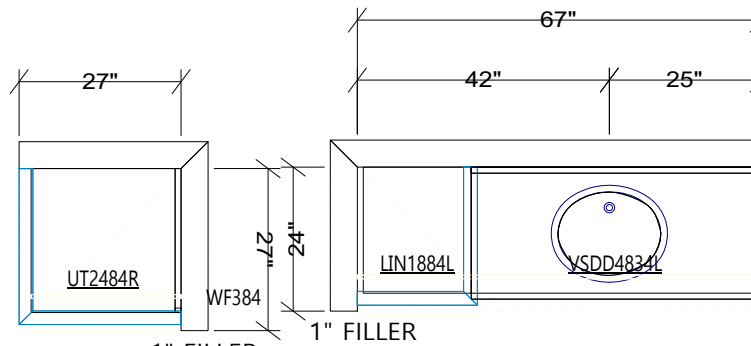


This is an original design and must not be released or copied unless applicable fee has been paid or job order placed.

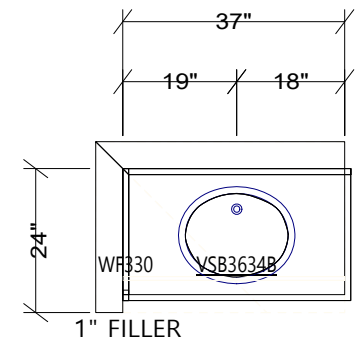
Designed: 3/25/2026
Printed: 3/26/2026



MASTER BATH
CABINET HEIGHT 34-1/2"



MAIN BATH
CABINET HEIGHT 34-1/2"



LOWER LEVEL BATH
CABINET HEIGHT 34-1/2"

CUSTOM CABINETY BY KDC
PRICE GROUP 0

DOOR: FLORENCE
DRAWER: SLAB
HINGES: SOFT CLOSE
DRAWER GUIDES: SOFT CLOSE
OVERLAY: MODIFIED OVERLAY
WOOD: MAPLE
FINISH: DRIFTWOOD

TRIM:
1-SCRWN3
2-WTK
2-TOEKICK
2-BASE SHOE

COUNTERTOPS: BY OTHERS

CUSTOM CABINETY BY KDC
PRICE GROUP 0

DOOR: FLORENCE
DRAWER: SLAB
HINGES: SOFT CLOSE
DRAWER GUIDES: SOFT CLOSE
OVERLAY: MODIFIED OVERLAY
WOOD: MAPLE
FINISH: DRIFTWOOD

TRIM:
1-SCRWN3
2-TOEKICK
2-BASE SHOE

COUNTERTOPS: BY OTHERS

All dimensions _size designations given are subject to verification on job site and adjustment to fit job conditions.



This is an original design and must not be released or copied unless applicable fee has been paid or job order placed.

Designed: 3/25/2026
Printed: 3/26/2026



Note: This drawing is an artistic interpretation of the general appearance of the design. It is not meant to be an exact rendition.



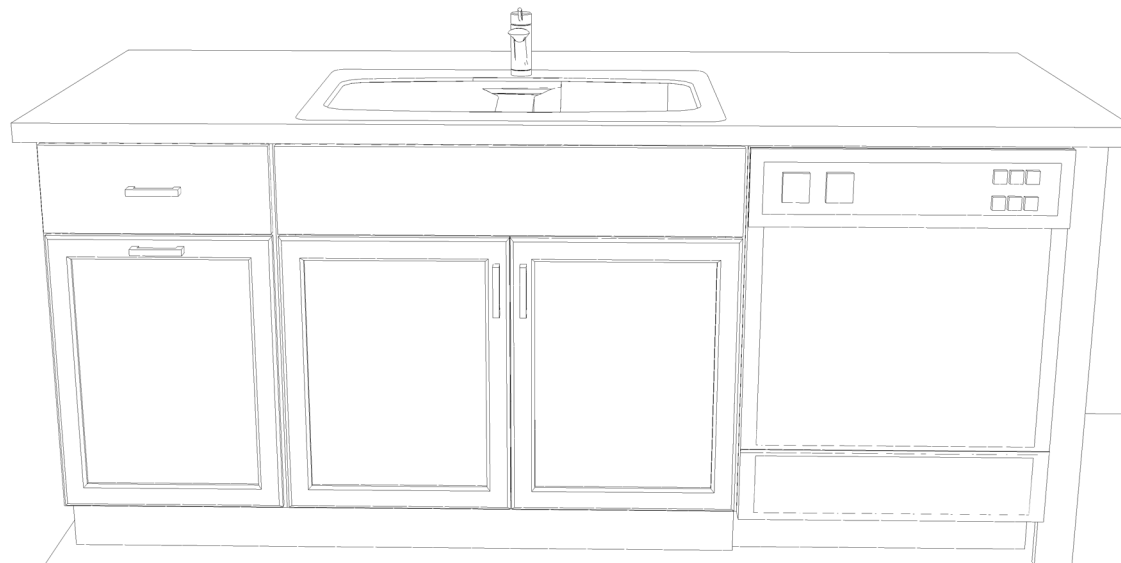
Designed: 3/25/2026
Printed: 3/26/2026



Note: This drawing is an artistic interpretation of the general appearance of the design. It is not meant to be an exact rendition.



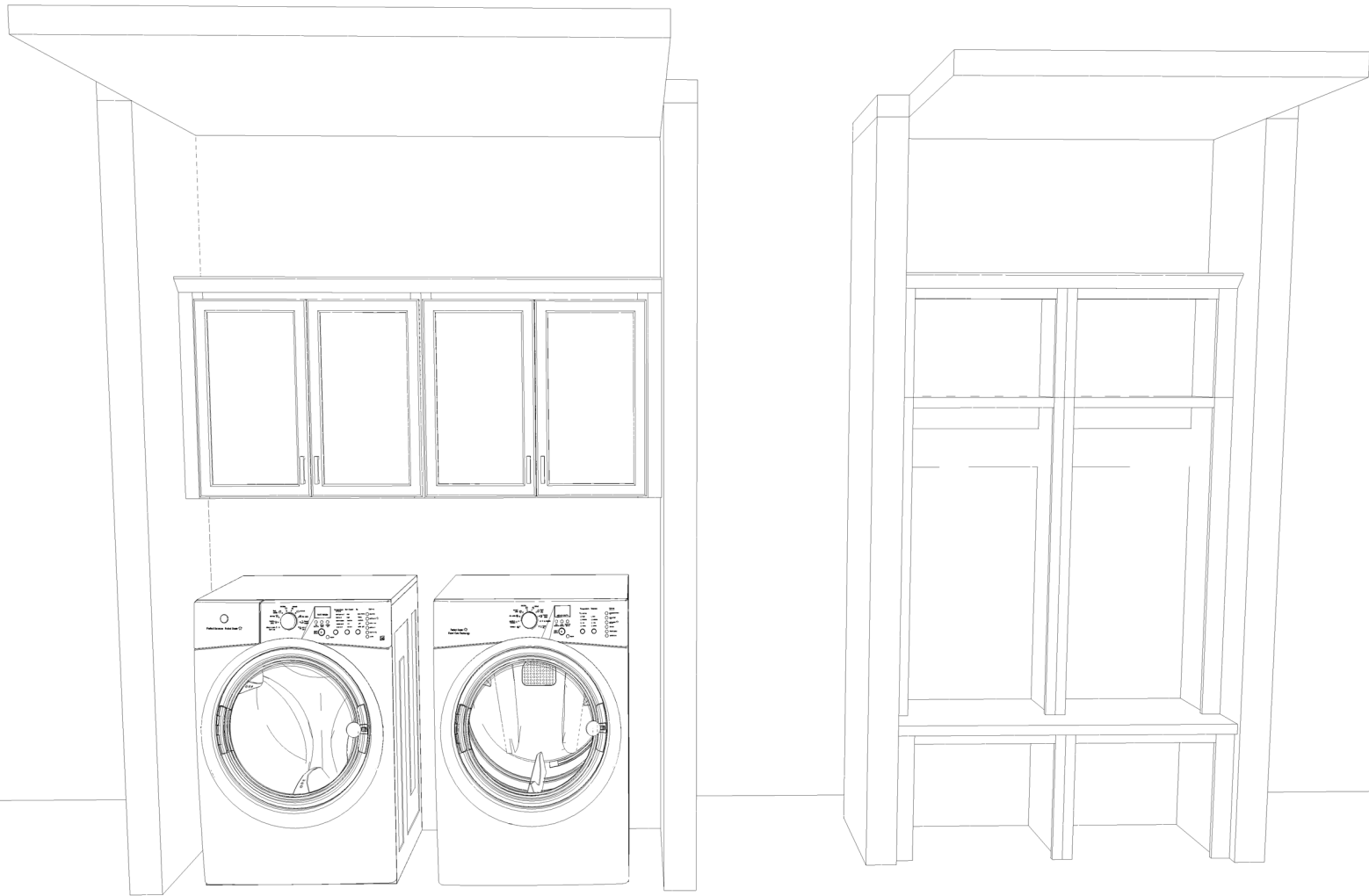
Designed: 3/25/2026
Printed: 3/26/2026



Note: This drawing is an artistic interpretation of the general appearance of the design. It is not meant to be an exact rendition.

2020

Designed: 3/25/2026
Printed: 3/26/2026



Note: This drawing is an artistic interpretation of the general appearance of the design. It is not meant to be an exact rendition.

2020

Designed: 3/25/2026
Printed: 3/26/2026



Note: This drawing is an artistic interpretation of the general appearance of the design. It is not meant to be an exact rendition.

2020

Designed: 3/25/2026
Printed: 3/26/2026